

VL500D™ Wash

l u m i n a i r e



Back by popular demand, the VARI***LITE**® VL500D™ Wash luminaire is based upon the Emmy® Award-winning VL5™ Wash luminaire, but with significant design improvements.

The patented and innovative DICHRO***TUNE**™ radial color mixing system employs three sets of 16 radially mounted dichroic blades – magenta, blue, and amber – designed to produce a smooth, full spectrum of color cross-fades.

This luminaire is also available with pastel versions of the standard colors. The pastel colors offer a softer Broadway-type color palette often used in live theater.

In addition to its internal dimmer for intensity control, the VL500D utilizes 16 radially mounted diffuser planes to control beam spread. For additional beam control, the VL500D may be purchased with six interchangeable lens options, including clear, stipple (included in stock fixture), 8-row, 10-row, 12-row, and Buxom.

The VL500D is designed with natural convection cooled lamps, and internally cooled electronics which utilize low velocity, low noise micro-fans. Two on-demand fans are mounted internally in the yoke arms and activate only in extreme conditions where ambient temperature exceeds 41°C, or if the fixture is mounted in a horizontal position. User override is possible through the unit's menu display.

The VL500D is a stand-alone fixture with no additional outboard equipment required. Simply plug in DMX512 and power, and the VL500D may be controlled through a variety of DMX512 lighting control consoles.

The VL500D comes standard with an on-board, backlit, invertible LCD display. This enhanced display is easy to read with or without the backlight on. The display also has an optional extended remote function, which allows “shop” addressing and adjustment of other fixture parameters by means of battery-powered, hand-held controller, thereby avoiding the need to power the light.

Programmable Functions

Intensity Control:	Integral IGBT dimmer.
Color Mixing System:	Patented DICHRO* TUNE radial color changing mechanism features independent magenta, blue, and amber color control.
Beam Control:	A selection of six easily interchangeable front lenses work with the internal diffusing mechanism to provide a variety of beam sizes and shapes (Stipple lens comes in the standard model).
Pan and Tilt:	Smooth, time-controlled continuous motion by way of a high-power stepper motor system capable of 0.3° resolution.
Range:	Pan - 540°, Tilt - 270°.

Description

Source:	120V/1200W Tungsten Halogen Lamp 230V/1000W Tungsten Halogen Lamp	Color Temperature Color Temperature	3200K 3200K
Power Requirements:	120V/1200W Tungsten Halogen 230V/1000W Tungsten Halogen	100-120VAC, 50/60Hz 216-240VAC, 50/60Hz	
Reflector:	Precision parabolic glass reflector system with dichroic cold mirror coating.		
Operational Temperature:	-20° to 122°F (-29° to 50°C)		
Cooling:	Natural convection cooling supported by on-demand micro-fans for high temperature applications.		
Control:	Completely compatible with a variety of DMX512 lighting control consoles.		
DMX Channels:	8-13 channels depending upon mode selected		
Mounting Position:	May be mounted and operated in any orientation.		
Spacing:	Hangs on 21 inch (53.34 cm) centers		
Weight:	48 lbs. (21.78 kg)		

Ordering Information

Standard Color Dichroic Glass

20.9685.0002	VL500D Wash luminaire, 120V/1200W Lamp with Integral IGBT Dimmer
20.9685.0003	VL500D Wash luminaire, 230V/1000W Lamp with Integral IGBT Dimmer

Pastel Color Dichroic Glass

20.9685.0012	VL500D Wash luminaire, 120V/1200W Lamp with Integral IGBT Dimmer
20.9685.0013	VL500D Wash luminaire, 230V/1000W Lamp with Integral IGBT Dimmer

Accessories

71.2529.0120	120V/1200W Tungsten Halogen Replacement Lamp
71.2526.0230	230V/1000W Tungsten Halogen Replacement Lamp
42.9685.0201	Clear Lens (VNSP)
42.9685.0207	Stipple Lens (NSP) Standard with Fixture
42.9685.0203	8-Row Lenticular Lens (MFL)
42.9685.0206	10-Row Lenticular Lens (MFL)
42.9685.0204	12-Row Lenticular Lens (WFL)
42.9685.0205	Buxom Lens (VWFL)
22.9620.0194	Safety Cable Assembly
55.6840.0001	Truss Hook, Mega-Clamp (Round and Square)
55.6841.0001	Truss Hook, Mega-Claw (for 2" Round Tube)



VARI***LITE**®
Express yourself.

VL500D™ Wash

l u m i n a i r e

Specifications

Each unit is an integrally designed, remote controlled, motorized wash luminaire. The head, yoke, and enclosure housing are constructed of aluminum alloy and steel for lightweight strength and durability. The front nose ring and rear housing shall be hinged and latched, providing easy access to the lamp and lens for replacement.

Each unit shall be equipped with an on-board microprocessor to control all actions of the luminaire, providing diagnostic and self-calibration functions, as well as internal test routines and software update capabilities.

Each unit shall have three-color changers holding a minimum of 16 frames of standard dichroic media (magenta, blue, and amber), or with a pastel color mixing set as requested by the specifier, providing a full spectrum of color cross-fades, with a wide range in the saturated colors.

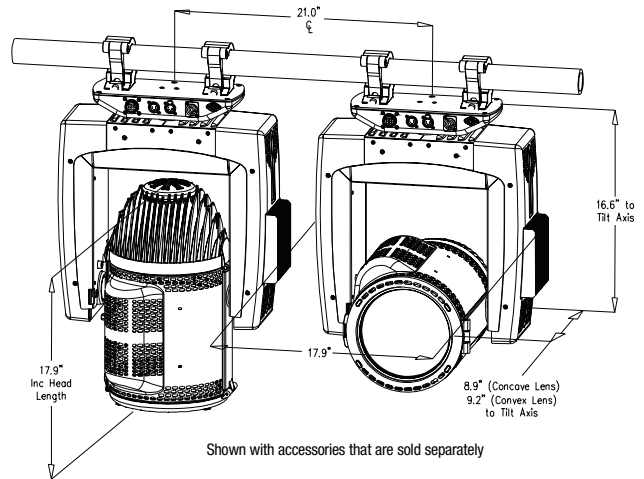
Each unit shall contain one diffuser mechanism holding a minimum of 16 glass diffuser panels that intercept the beam and provide continuous time variable diffusion range for each of the available lenses.

Each unit shall use a 120VAC/1200W, or a 230VAC/1000W, tungsten halogen lamp, and contain an integral yoke-mounted Insulated Gate Bi-Polar Transistor (IGBT) dimmer matched with the voltage of the lamp. The IGBT dimmer shall be the only source for dimming of the lamp and offer short-circuit, overload, and thermal protection.

Each unit shall have a 3200-degree color temperature output. Both the unit and the integral IGBT dimmer shall be natural convection cooled with the added use of on-demand micro-fan control.

Pastel (Dichroic Glass) Feature:

Pastel Color Feature: As an option, the luminaire shall be made available with "pastel" or lighter colored magenta and blue color filters. The luminaire, fitted with pastel-colored dichroic glass, shall maintain the electrical specifications of the standard version of the VL500D Wash luminaire.



Photometric Data*

1200W 120V Lamp (3200K Color Temperature)						
Lens	Lumens	Candela (cd)	Foot Candles (measured at 124 inches)	Lux (measured at 3.149 meters)	Beam Angle (degrees)	Field Angle (degrees)
Clear	6,010	377,632	2,516	27,143	6.5	14.0
Stipple	6,140	284,791	2,544	27,467	7.9	16.2
8-Row	4,680	93,761	1,163	12,489	12.9	19.0
10-Row	4,940	92,573	1,377	14,812	12.2	20.8
12-Row	3,400	30,358	941	10,143	18.6	30.0
Buxom	3,040	29,153	1,868	20,245	24.2	43.3

1000W 230V Lamp (3200K Color Temperature)						
Lens	Lumens	Candela (cd)	Foot Candles (measured at 124 inches)	Lux (measured at 3.149 meters)	Beam Angle (degrees)	Field Angle (degrees)
Clear	4,790	343,614	1,978	21,263	6.4	13.0
Stipple	4,910	239,961	1,955	21,004	7.8	15.6
8-Row	3,820	78,833	973	10,500	14.2	19.0
10-Row	4,170	73,418	1,092	11,747	14.9	20.8
12-Row	2,730	25,623	762	7,997	19.7	29.1
Buxom	2,210	25,532	1,447	15,583	22.2	39.4

VARI*LITE®
Express yourself.

©2008 Philips Group. All rights reserved. Printed in the U.S.A. VARI*LITE® is a trademark owned by Philips Group and is registered in the United States and other countries. Series 500™, VL500™, VL500A™, VL500D™, VL500 80V™ and DICRO*TUNE™ and the Vari-Lite Asterisk are also trademarks owned by Philips Group. Certain products listed in this document may be protected by applicable patents and patents pending. Philips will aggressively defend all of its intellectual property. We reserve the right to change details of design, materials and finishes. Specifications are subject to change without notice. VARI*LITE® automated lighting equipment is made in the U.S.A.

Vari-Lite

10911 Petal Street

Dallas, TX 75238

1.877.VARILITE

fax: 214.647.8038

www.vari-lite.com

VL500D_0808